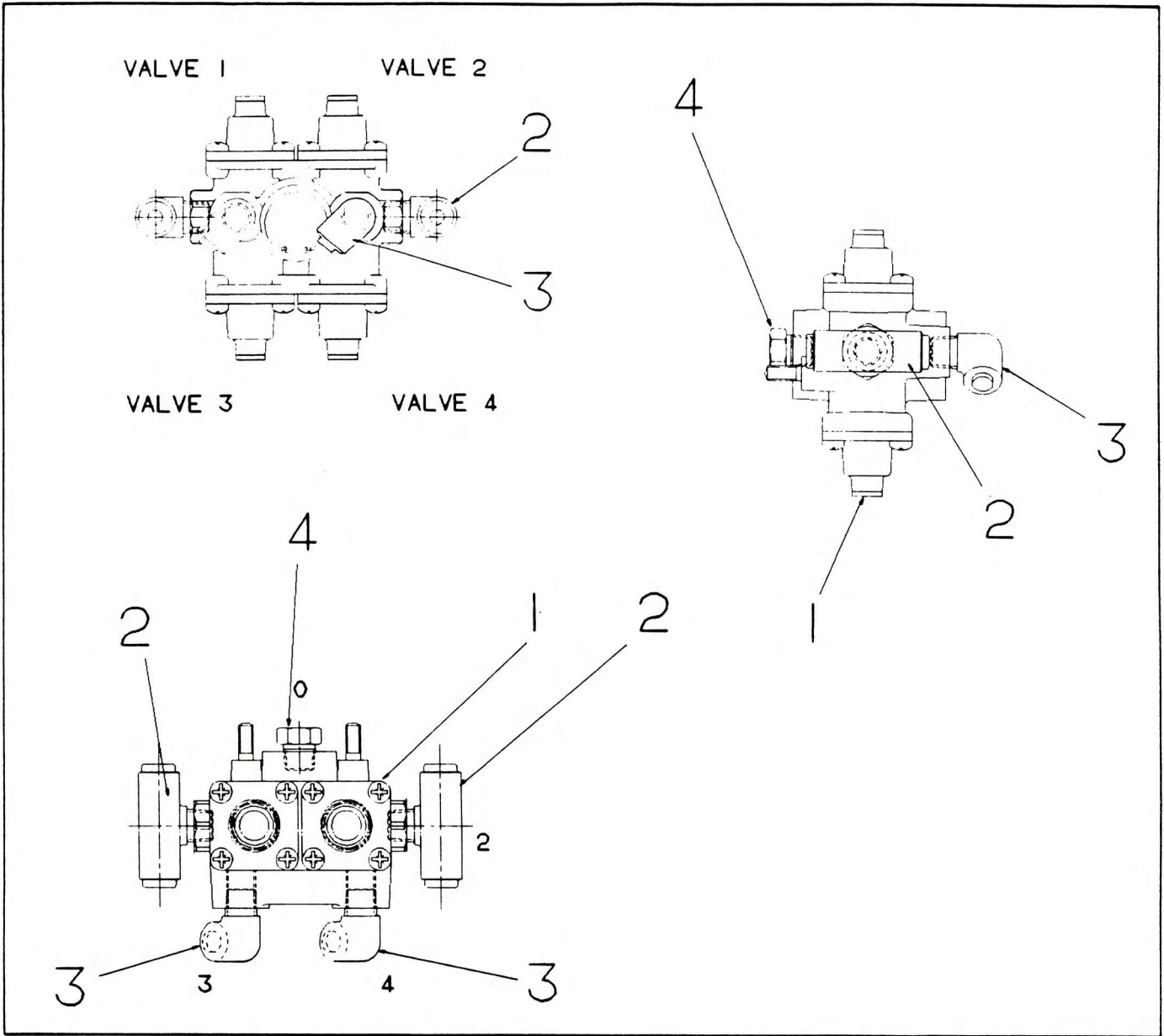


VALVE ASSY MULTI CIRCUIT PROTECTION



NO.	PART NO.	QTY.	DESCRIPTION	NO.	PART NO.	QTY.	DESCRIPTION
1	# 8366563	1	Multi Protection Valve				
2	7-443-990999	2	Tee Adaptor (Ports 21 and 22)				
3	7-443-991025	2	Elbow Adaptor (Ports 23 and 24)				
4	88879	1	Plug Closure (Inlet Port)				

# Serviced Complete